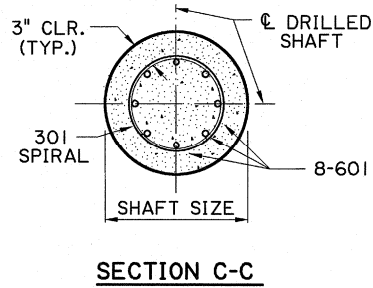
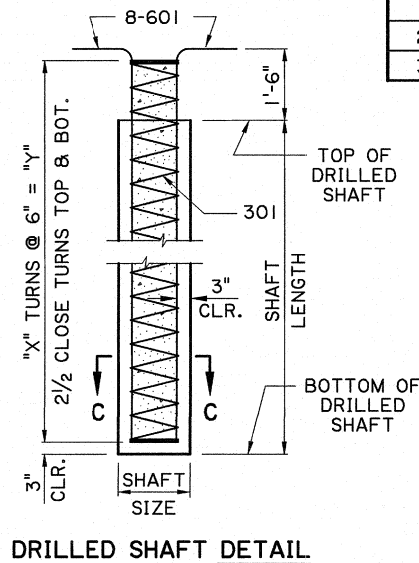


DRILLED SHAFT FOOTING "A"
(OVERHEAD SIGN TRUSS)

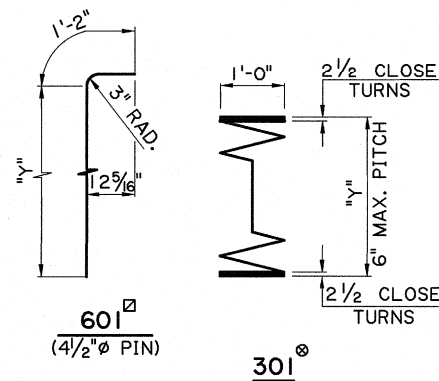
WIND ZONE	SHAFT SIZE (IN.)	SHAFT LENGTH (FT.)	X	Y (FT.)
1	18	30	62	31
2	18	35	72	36
3	18	60	122	61



SECTION C-C



DRILLED SHAFT DETAIL



601
(4 1/2" Ø PIN)

301

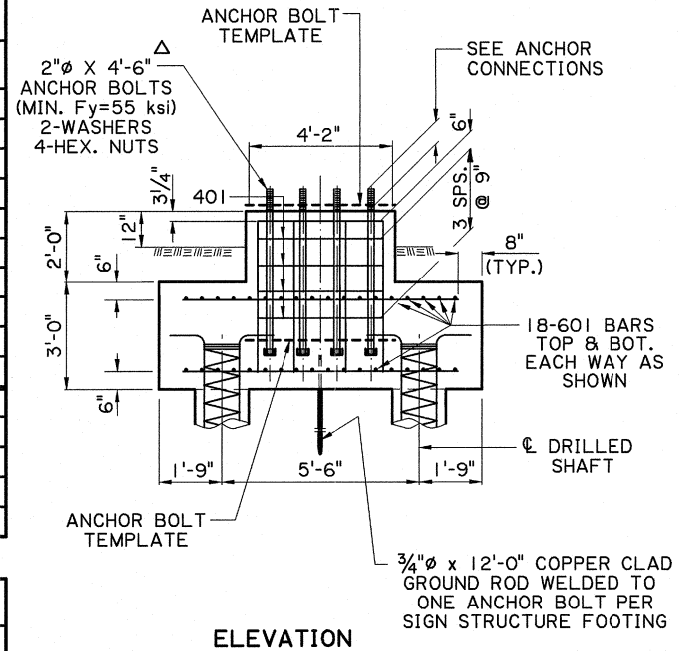
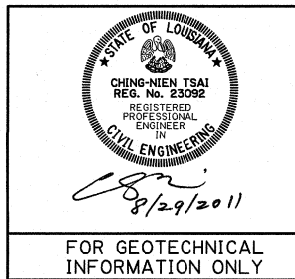
BAR	NO.	UNIT LENGTH	TOTAL LENGTH	LOCATION
801	14	12'-6"	175'-0"	FOOTING
802	26	5'-6"	143'-0"	FOOTING
TOTAL NO. 8 BARS = 318'-0"				= 849 LBS.
601	26	14'-10"	385'-8"	STIRRUPS IN FOOTING & PED.
TOTAL NO. 6 BARS = 385'-8"				= 579 LBS.
401	6	9'-6"	57'-0"	PEDESTAL
TOTAL NO. 4 BARS = 57'-0"				= 38 LBS.
TOTAL DEFORMED REINFORCING STEEL = 1466 LBS.				
TOTAL CLASS A1 CONCRETE = 11.26 CU.YDS.				
STRUCTURAL EXCAVATION = 40.0 CU.YDS.				
STRUCTURAL STEEL = (SEE ANCHOR BOLT DETAILS)				
DRILLED SHAFT = 140 LIN. FT.				

BAR	NO.	UNIT LENGTH	TOTAL LENGTH	LOCATION
601	72	7'-8"	552'-0"	FOOTING
TOTAL NO. 6 BARS = 552'-0"				= 829 LBS.
401	4	15'-6"	62'-0"	STIRRUPS IN FOOTING & PED.
402	6	14'-0"	84'-0"	STIRRUPS IN FOOTING & PED.
TOTAL NO. 4 BARS = 146'-0"				= 98 LBS.
TOTAL DEFORMED REINFORCING STEEL = 927 LBS.				
TOTAL CLASS A1 CONCRETE = 10.29 CU.YDS.				
STRUCTURAL EXCAVATION = 34.7 CU.YDS.				
STRUCTURAL STEEL = (SEE ANCHOR BOLT DETAILS)				
DRILLED SHAFT = 120 LIN.FT.				

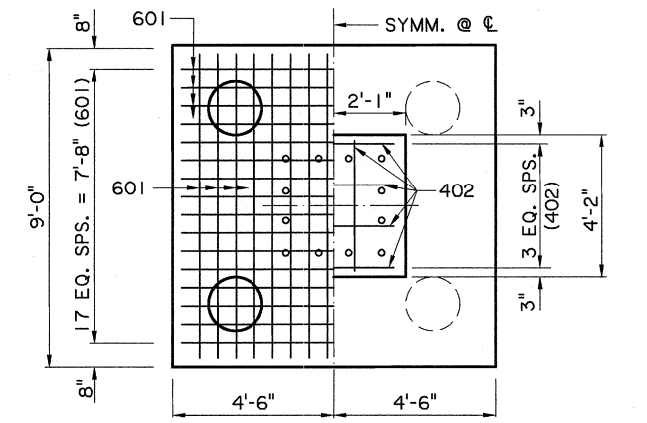
BAR	NO.	UNIT LENGTH	TOTAL LENGTH	LOCATION
601	8	37'-2"	297'-4"	DRILLED SHAFT
TOTAL NO. 6 BARS = 297'-4"				= 447 LBS.
301	1	237'-3"	237'-3"	SPIRAL
TOTAL NO. 3 BARS = 237'-3"				= 89 LBS.
TOTAL DEFORMED REINFORCING STEEL = 536 LBS.				
TOTAL CLASS S CONCRETE = 2.29 CU.YDS.				

NOTES:

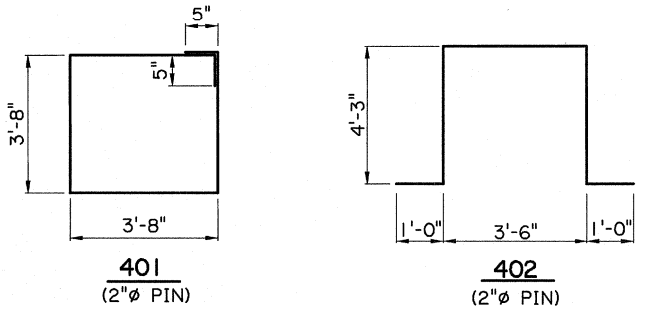
- THIS DRILLED SHAFT ALTERNATE IS ALLOWED IN LIEU OF TIMBER PILES AND IS A SUPPLEMENT TO PLAN SHEET NO. 8 OF 16.
- FOR ANCHOR BOLT DETAILS, SEE TYPE II TRUSS & CANTILEVER DETAILS AND THE GENERAL NOTES.
- ANCHOR BOLTS SHALL BE FURNISHED IN A PREPOSITIONED ANCHOR BOLT ASSEMBLY. (TWO TEMPLATES REQUIRED)
- * THESE DIMENSIONS MAY VARY ± ONE FOOT TO ADJUST ELEVATION FOR SITE ADJUST 401 & 601 BARS ACCORDINGLY.
- △ NO. 601 BARS MAY BE MOVED TO CLEAR TRUSS ANCHOR BOLTS.
- ⊖ WIND ZONE 2 ASSUMED FOR SHAFT QUANTITIES. FOR OTHER WIND ZONES, ADJUST QUANTITIES ACCORDINGLY. SEE DRILLED SHAFT DATA TABLES.
- ⊗ IF A SPLICE IS REQUIRED, THE MINIMUM SPLICE LENGTH SHALL BE 2'-9".
- ⊙ IF A SPLICE IS REQUIRED, THE MINIMUM SPLICE LENGTH SHALL BE 1 1/2 TURNS.



ELEVATION



PLAN



DRILLED SHAFT CANTILEVER FOOTING

WIND ZONE	SHAFT SIZE (IN.)	SHAFT LENGTH (FT.)	X	Y (FT.)
1	18	30	62	31
2	18	30	62	31
3	18	60	122	61

SHEET NUMBER

DESIGNED BY: K. BRAUNER
CHECKED BY: C. PORTER

DATE: JAN. 2011

PROJECT: 02-13-17 UPDATED FOR 2016 SPECIFICATIONS

REVISION DESCRIPTION

NO. 13 OF 16

DRILLED SHAFT FOOTING ALT.

BD.2.7.1.0.13 - OVERHEAD TRAFFIC SIGNS

BRIDGE AND STRUCTURAL DESIGN